



HIRSCHMANN

A Belden Company

Controls

Consoles

SLIs

Sensors

Service

gSENS WGB

Angle Sensor series (single axle, twin axle, redundant)



The new angle sensor, gSENS WGB is an extension of the existing Hirschmann Automation and Control angle sensor programme. The gSENS WGB is a cost-efficient variant on the new series because in this case the level of precision is matched to the task in hand. This angle sensor is distinguished by its compact exterior. Attachment drill holes are located directly within the housing and allow installation on the left or right hand side of the boom. A combination with the mounting plates is also possible. Further options are the gSENS WGB-XY as an inclinometer and the gSENS WGB-R as a redundant option for applications where the sensor has to be designed redundant for reasons of higher levels of security.

gSENS WGB is available either with 4 ...20mA or a CANopen interface.

- ▶ Absolute value sensor
- ▶ Compact design
- ▶ Wide temperature range
- ▶ Suited to extreme ambient conditions
- ▶ Optimal cost/performance ratio

J2 electronics
Ndr. Fovrefeldvej 44
DK 6710 Esbjerg V.
Phone: +45 70221955
www.j2.dk





TECHNICAL DATA

Description	gSENS WGB	gSENS WGB-XY	gSENS WGB-R
			
Angle range	0 - 90° ²	-15 bis +15° ¹	0 - 90° ² (redundant capture)
Measurement range		selectable	
Linearity		< ±0,5°	
Resolution		< ±0,1°	
Hysteresis		< ±0,1°	
Housing		Aluminium	
Output signal with current interface		4 - 20 mA (short circuit proof)	
Bus protocol with CAN version:		CAN 2.0 B	
• CAN Bus protocol			
Physical transmission		2 wire, 5 V level, CAN HighSpeed ISO 11898-2 (24 V short circuit prot.)	
Operation voltage		9 - 36 V DC	
Input Current		100 mA	
Operating temperature		-40 °C to +85 °C	
Storage temperature		-40 °C to +85 °C	
Protection class in accordance with DIN 40050		IP 65	

¹ Different angle range on request

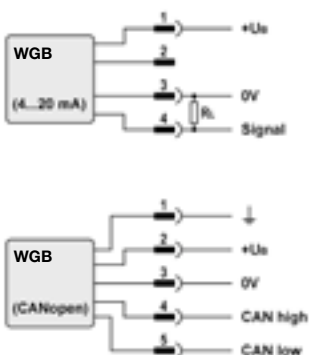
² Flexible adjustment of pre and overtravel

Other output signals on request

Pin configuration

gSENS WGB

Plug M12x1



Mechanical diagram

